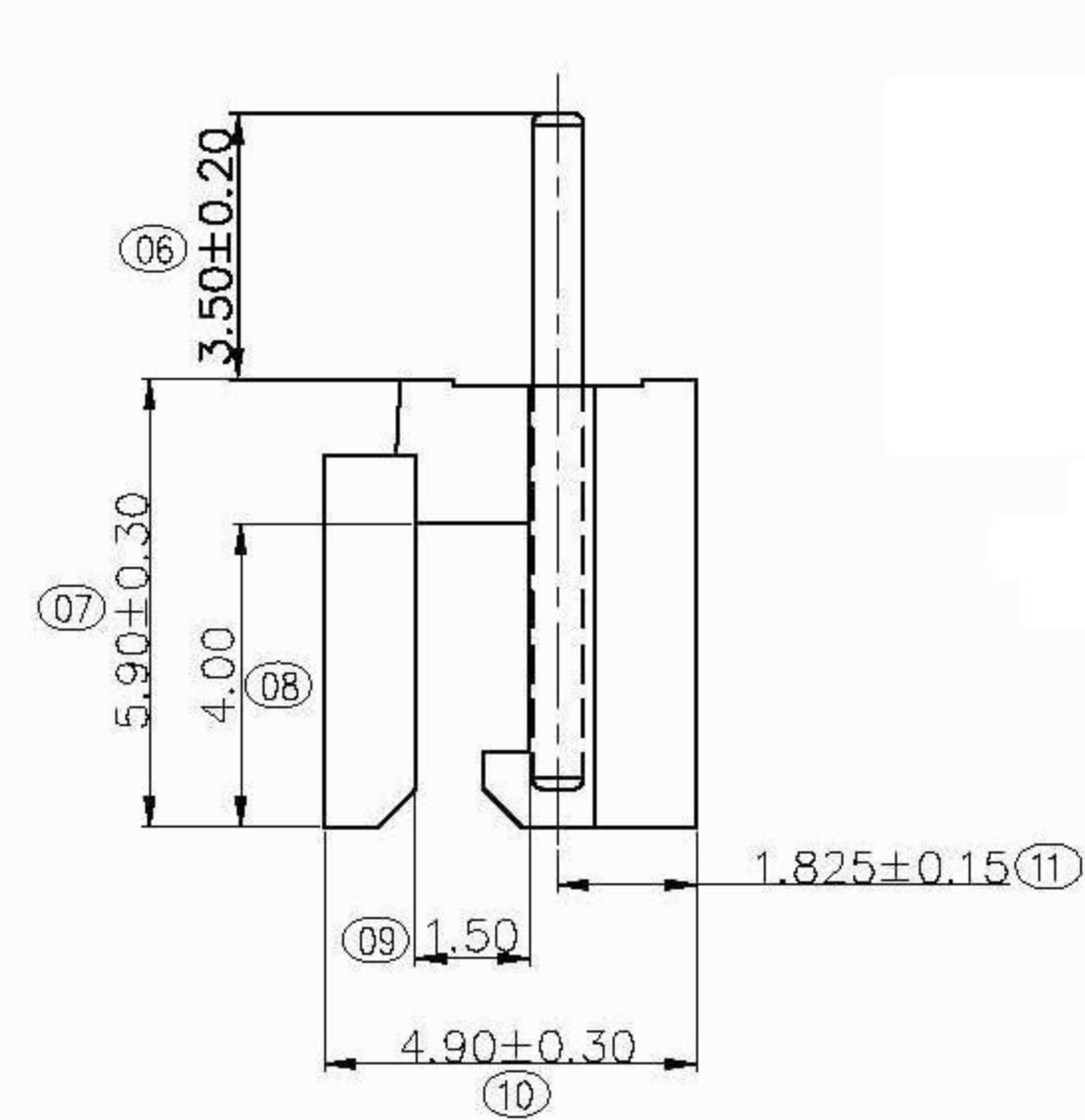
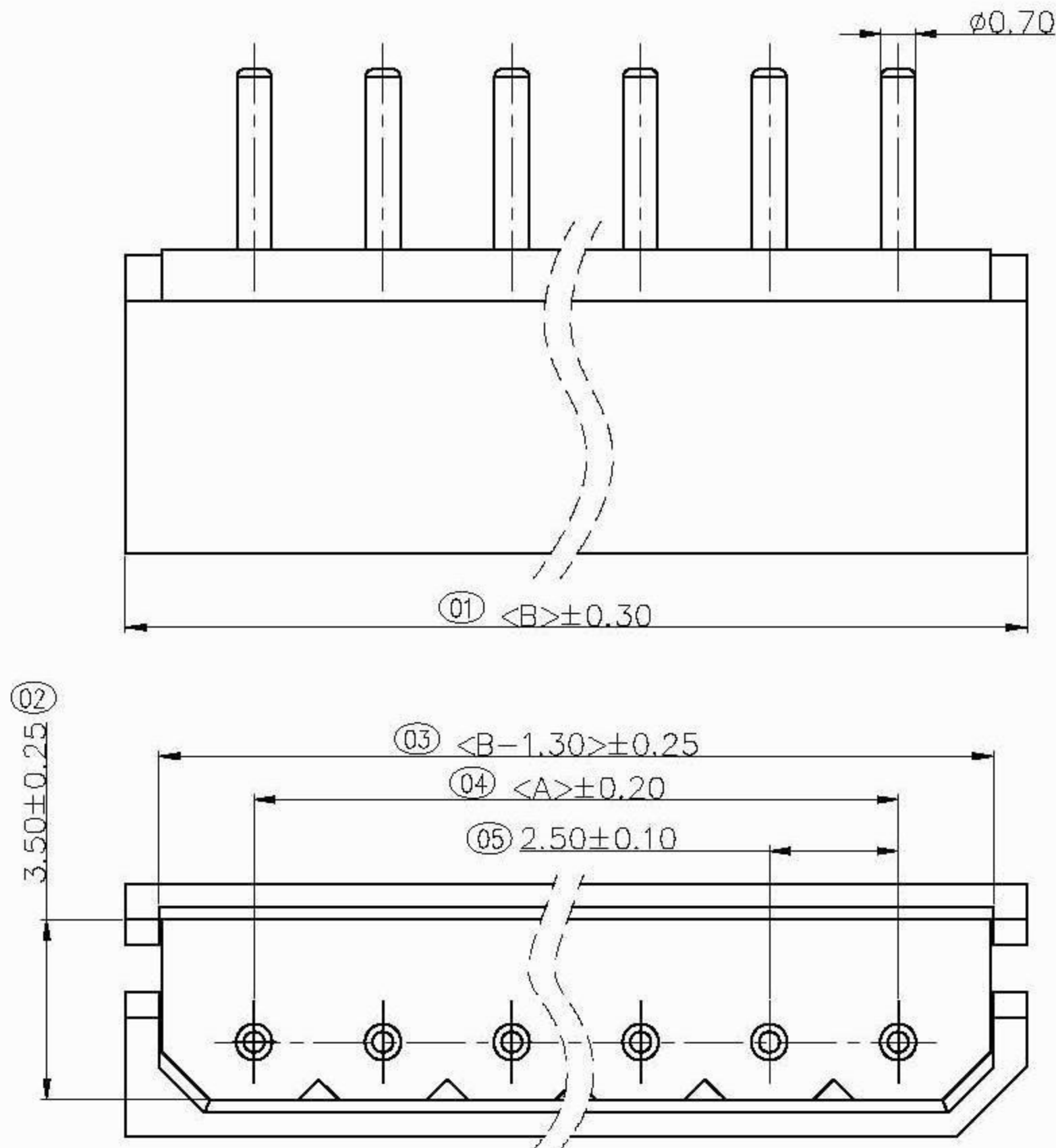
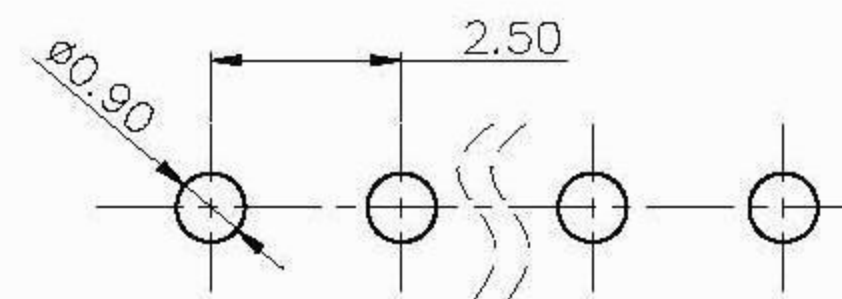


NOTES:

CURRENT RATING: 3A AC/DC.
 VOLTAGE RATING: 250V AC/DC.
 TEMPERATURE RANGE: -25°C~+85°C.
 CONTACT RESISTANCE: 20mΩ MAX.
 INSULATION RESISTANCE: 1000MΩ MIN.
 WITHSTANDING VOLTAGE: 1000V AC/MINUTE.



Recommended P.C.B Layout (Top Side)
 P.C.B Thickness = 1.20-1.60mm
 (Tolerance = ±0.05)



PART NO.	Dimensions	
	A	B
WF2502S02	2.50	7.50
WF2502S03	5.00	10.00
WF2502S04	7.50	12.50
WF2502S05	10.00	15.00
WF2502S06	12.50	17.50
WF2502S07	15.00	20.00
WF2502S08	17.50	22.50
WF2502S09	20.00	25.00
WF2502S10	22.50	27.50
WF2502S11	25.00	30.00
WF2502S12	27.50	32.50
WF2502S13	30.00	35.00
WF2502S14	32.50	37.50
WF2502S15	35.00	40.00
WF2502S16	37.50	42.50

PIN 针共用件	BRASS	Ø0.70X8.90 NICHEL: 40-60u"MIN; WHOLE TIN: 80-120u"MIN.
Wafer 胶芯	PA66 UL 94V-0	BUFF
PART NAME	MATERIALS	SPEC

DIM	TOL	DIM	TOL
X.	/	X'	/
X.X	±0.25	X.X'	±2'
X.XX	±0.20	X.XX'	±1'
X.XXX	±0.10	X.XXX'	/

GXCON ENTERPRISE CO., LTD			
DRAW NO.	DATE	P/N NO:	DRAW NAME:
DESIGN:		WF2502SXX	MX 2.50 180° WAFER
CHECK:		REV. C	SCALE 1:1
REVIEW:		UNIT: mm	SHEET: 1 OF 1